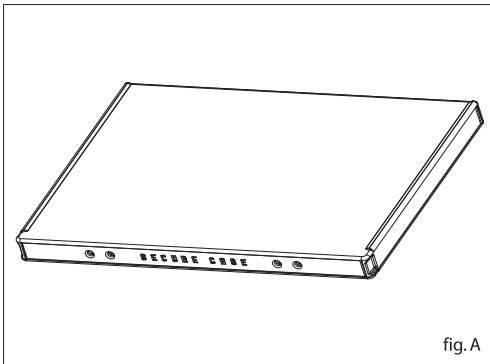




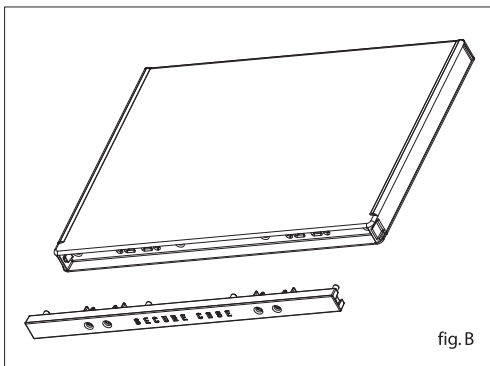
OPERATING INSTRUCTIONS for the DVD case

NEXPAK's Secure Case is the locking display case designed with both security and rental protection in mind. The following instructions are applicable to the DVD case.



To Lock Case:

1. The patented locking device allows the case to be snapped closed. (See fig. A)
2. Align clip teeth with the holes on the closing side of the case. Press clip securely into holes. (See fig. B)
3. Your case is now ready to display live product.

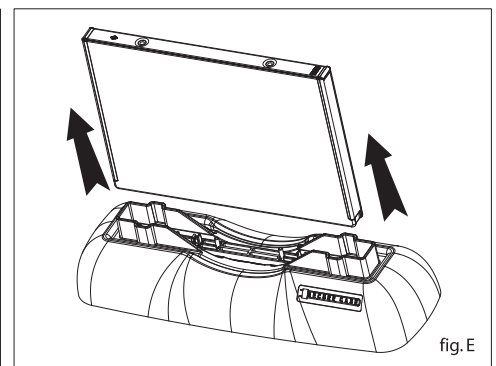
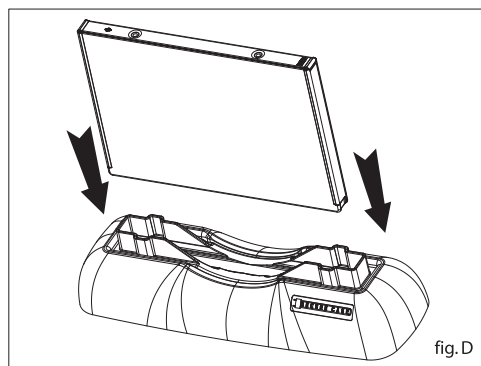
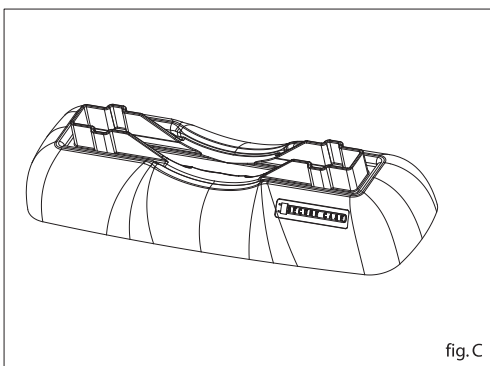


To Unlock Case:

1. To open your Secure Case you will need the patented counter key. (see fig. C)
2. Align key with locking holes on clip of case. Press case firmly into key and lift up. (See fig. D)
3. Clip is easily removed from case. (See fig. E)

If the key only opens one side of the clip, push clip back into the case and repeat steps above to release clip.

The SecureCase key ships with double-sided self-adhesive pads to affix key to counter to eliminate key movement or scuffing of surface.



Instruction Sheet No. PV0340 - Rev2, 092903